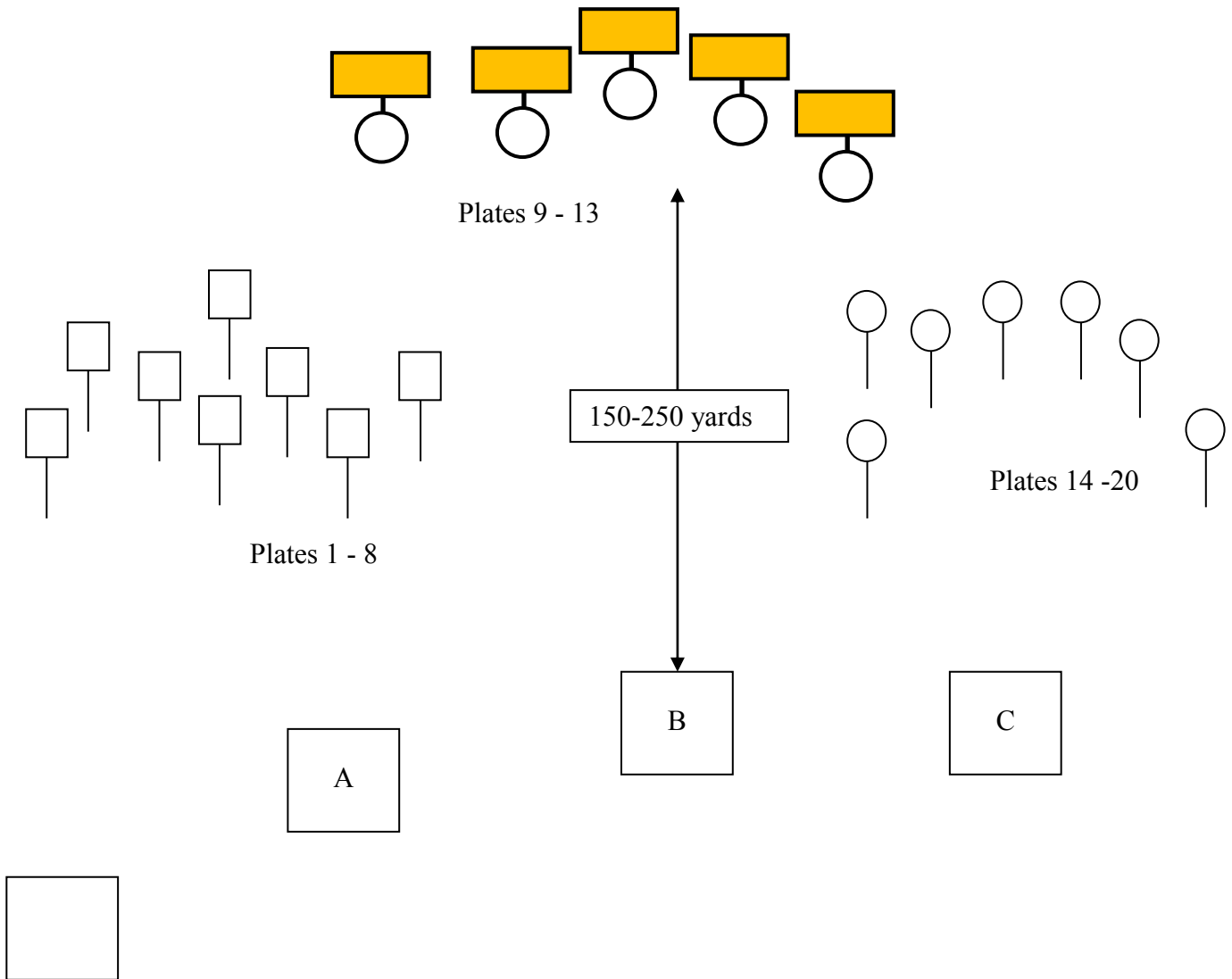




# 2015 TRIJICON SHOOTING CHALLENGE

## Stage 12 "Outlaw 3 Gun"

<b>START POSITION:</b> Standing with handgun or shotgun pointed at the ready cone.	
<b>GUN READY CONDITION:</b> All firearms are loaded and staged.	<b>SCORING:</b> Time Plus
<b>STAGE PROCEDURE:</b> On signal, engage knock off steel 1-8 from box A with the handgun or shotgun, from Box B engage Flash 9 – 13 with the rifle, from Box C engage knock off 14 – 20 with handgun or shotgun. Shooter must safely ground all firearms in the designated grounding area.	<b>TARGETS:</b> 20 targets
	<b>SCORED HITS:</b> Steel must flash / fall
	<b>START-STOP:</b> Audible - Last shot
	<b>RULES:</b> Trijicon SC
	<b>AMMUNITION:</b> Handgun, shotgun, rifle
	<b>PENALTIES:</b> Procedures



**COURSE DESCRIPTION SUBJECT TO CHANGE**